

A large industrial IBC blending module is shown in a factory setting. The machine is white and has a hopper at the bottom. It is mounted on a pallet. The background is a blue-tinted image of the factory floor.

MATCON[®]

POWDERS, HANDLED.

IBC BLENDING MODULE

ELIMINATE CLEANING DOWNTIME.
EVERY TIME.

Mix any recipe, any time, through
fast, efficient, agile blending with
Matcon IBC blending systems.

www.matconibc.com

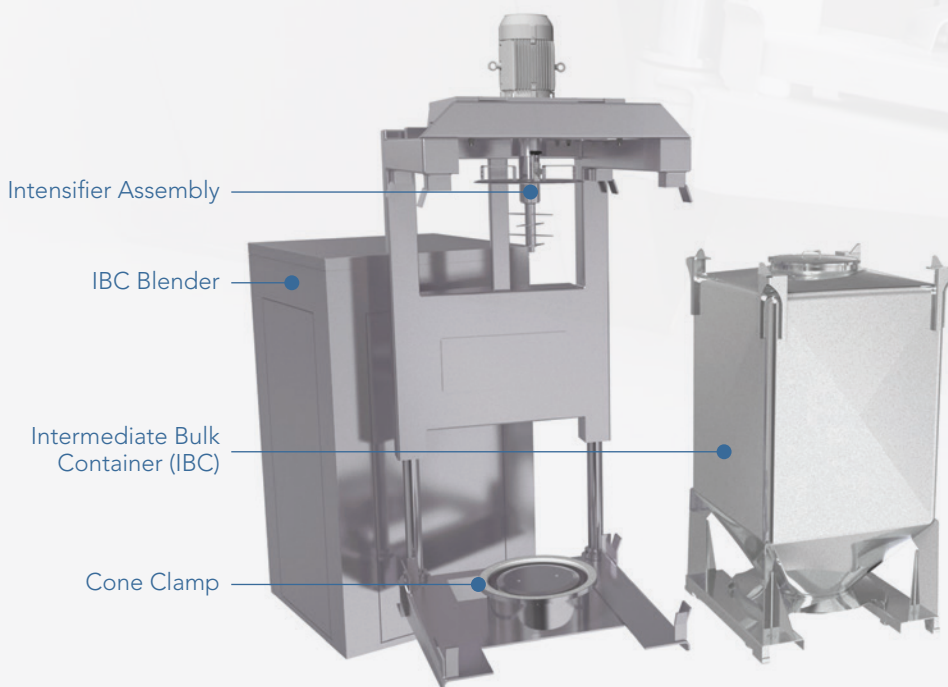


POWDERS, HANDLED.

The Industrial Mixer for fast, efficient, agile blending

Achieve a flexible and efficient mixing process.

Because the IBC is the blending vessel, there is no downtime for cleaning and no risk of cross-contamination. All filling and emptying takes place independent of the blender.



THE MATCON BLENDING ADVANTAGE

System is always blending – filling, emptying and cleaning are done offline

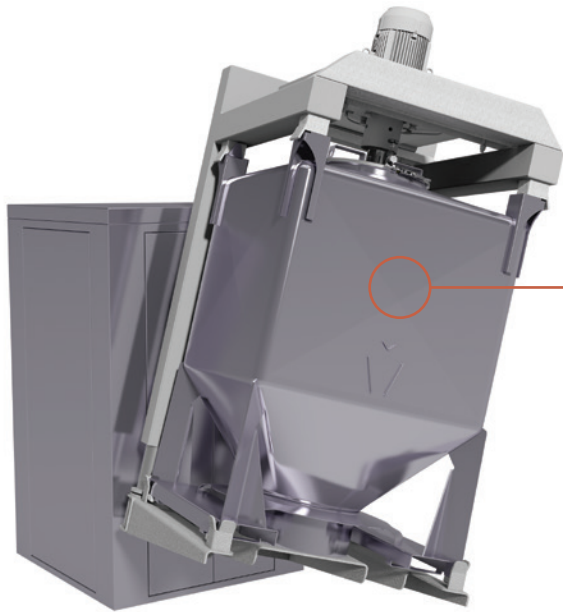
In-bin blending for instant recipe changes without risk of contamination

Wide range of batch sizes give flexibility

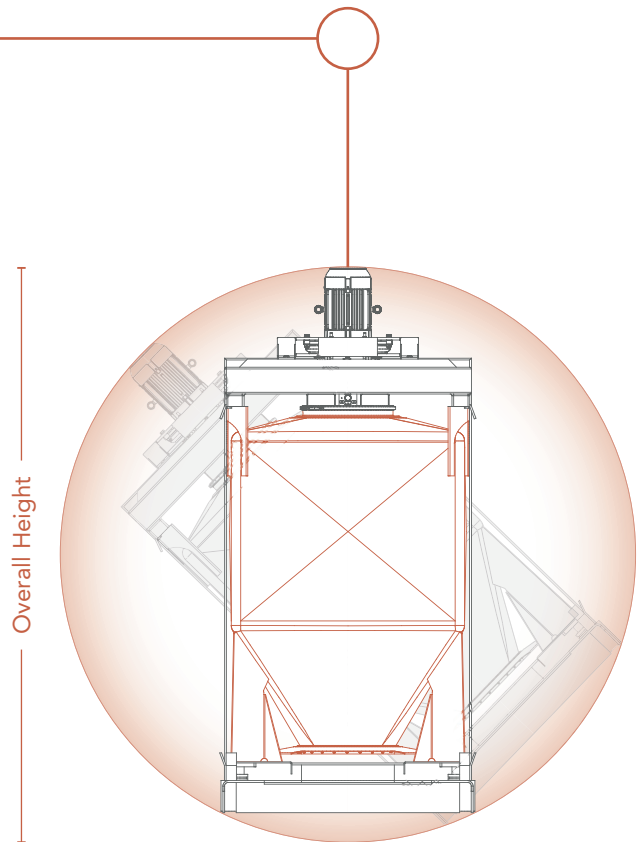
Intensifier package expands blending capability, including liquid addition

Modular solution: factory assembled, proven design, low risk

Comes with interlocked safety cage



The IBC Blending module enables the mixing of any recipe, at any time.



Eliminate the time-consuming cleaning associated with traditional static mixers.

Rapid batch changeovers as there is no product contact with the blender.

No cross-contamination risk as the IBC is the blending vessel and is fully contained.

High OEE rates as IBCs are formulated, emptied and cleaned offline, reducing downtime.

Flexible batch sizes can be blended, as one blender accommodates a multiple of different IBC sizes.

High Shear Intensifier extends the range of blending capabilities.

Asymmetric tumble axis ensures no powder hang up.

Variable rotation speed and mix time to suit recipe needs.

STRUCTURE SIZES ARE DEPENDENT UPON IBC SIZE

IBC Size	Turning Circle	Overall Height
1000	2839 mm	2912 mm
1500	3104 mm	3185 mm
2000	3373 mm	3517 mm
2500	3900 mm	4000 mm
3100	3769 mm	3938 mm

Measurements based on standard equipment

MATCON®

POWDERS, HANDLED.

We specialise in providing complete materials handling solutions in the Food, Nutrition, Pharmaceutical and Chemical sectors.

We're not just an IBC provider, but a true partner helping you accomplish the right system for your needs.



THE POWDER HANDLING EXPERTS

www.matconibc.com



TEKEMAS

OUR SCANDINAVIAN PARTNER

Tekemas A/S ♦ East: Naverland 2, 2600 Glostrup ♦ West: Nydamsvej 47, 8362 Hørning, Denmark ♦ Tel +45 3670 6000
Tekemas AB ♦ Varlabergsvägen 16F, 434 39 Kungsbacka Sweden ♦ <http://www.tekemas.dk> ♦ tekemas@tekemas.com