

A photograph of a Matcon IBC Filling Module, showing a large stainless steel hopper and a control panel with a digital display and buttons. The image is overlaid with a blue geometric pattern.

MATCON[®]

POWDERS, HANDLED.

IBC FILLING MODULE

EFFICIENT FILLING OF IBCs.
HYGIENICALLY.

Formulate recipe batches directly
into IBCs using the
Matcon IBC Filling system.

www.matconibc.com

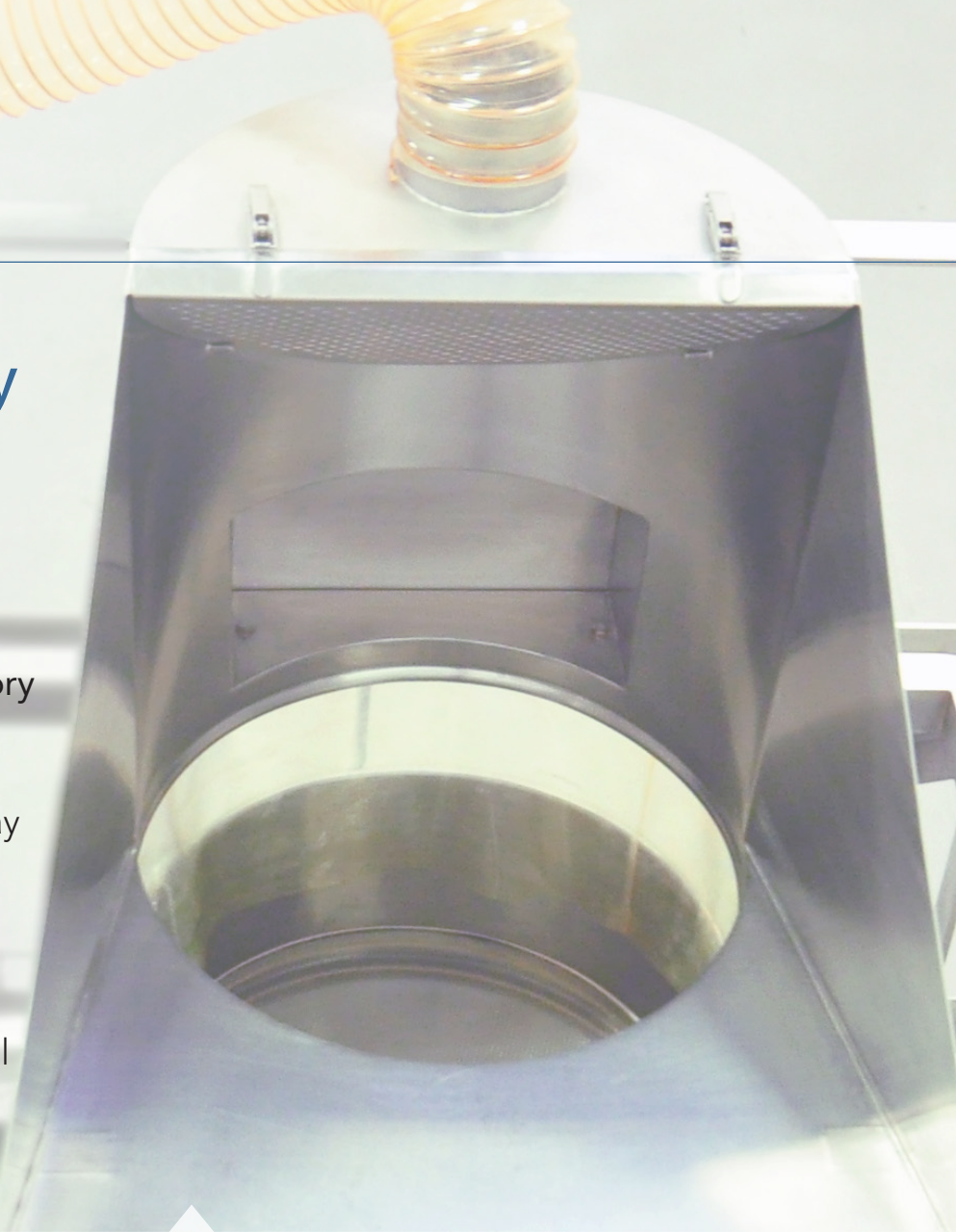


POWDERS, HANDLED.

The cleaner way to formulate simple recipes

Eliminate dust from the factory floor.

Formulate recipes offline away from the blending operation. Directly tip ingredients into IBCs in a contained manner, reducing the amount of dust compared to filling traditional fixed mixer systems.



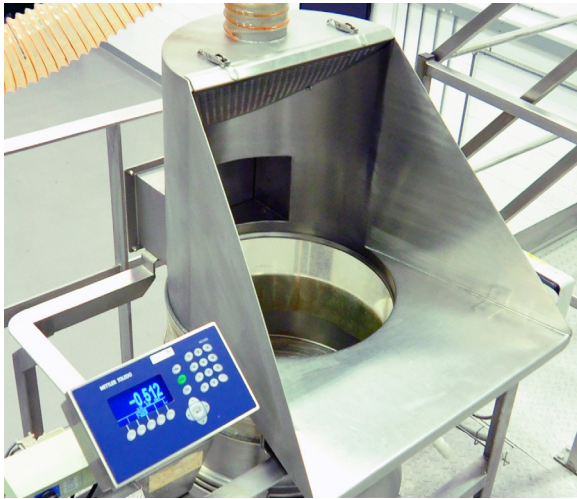
THE MATCON IBC FILLING MODULE

Fully contained transfer of materials for dust-free filling of IBCs off-line

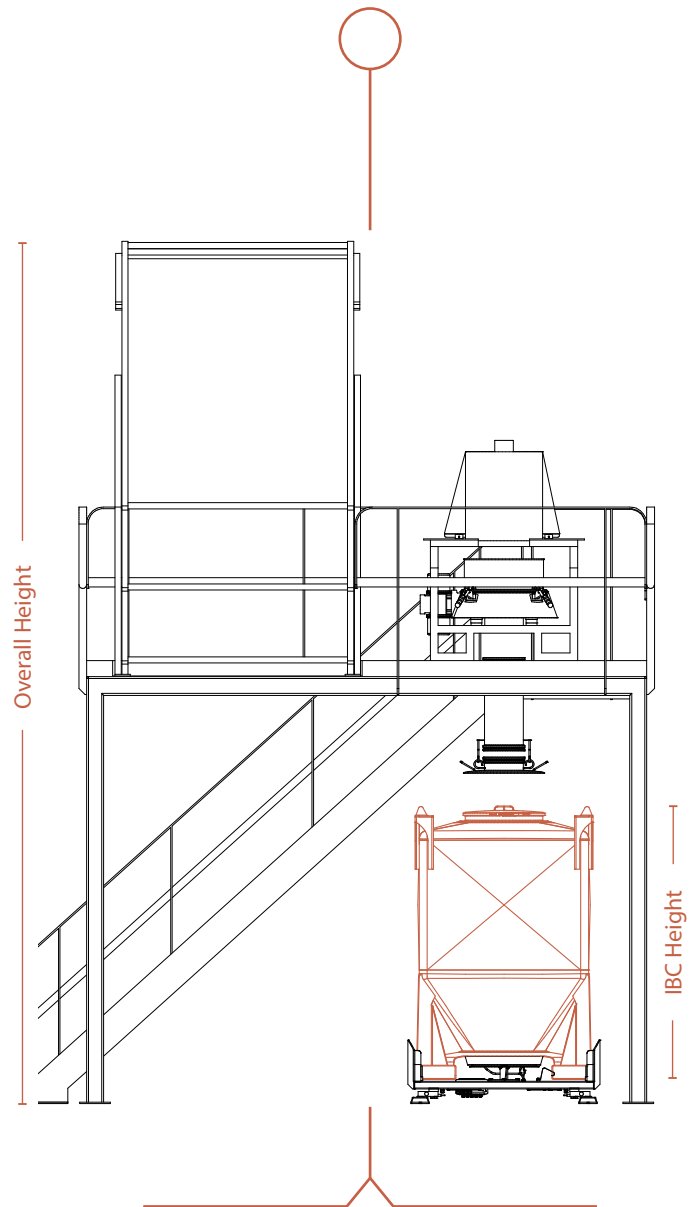
Easy disassembly for rapid cleaning & maintenance

Quality Assurance from flatbed vibratory sieve and optional magnetic metal removal

Optional weighing platform for checkweighing



The IBC Filling module creates a clean environment with dust-free transfers.



Dust-tight formulation of recipe batches without risk of contamination

Fully contained transfer of materials means that no product is spilt or leaked, thereby removing the risk of cross-contamination.

Hygienic, easy to clean design giving fast, efficient recipe preparation.

High manufacturing efficiency rates as IBCs are formulated off-line and rapidly brought into blending without causing mixer down-time.

Traceability is achievable with check weighing and material tracking.

Full recipe formulation is possible including minor and micro ingredient additions.

IBC Size	IBC Height	Overall Height*
1000	1400 mm	5419 mm
1500	1791 mm	5810 mm
2000	2227 mm	6246 mm
2500	2666 mm	6685 mm

*Approximate measurements based on S11 IBC range.

MATCON®

POWDERS, HANDLED.

We specialise in providing complete materials handling solutions in the Food, Nutrition, Pharmaceutical and Chemical sectors.

We're not just an IBC provider, but a true partner helping you accomplish the right system for your needs.



THE POWDER HANDLING EXPERTS

www.matconibc.com

IDEX

TEKEMAS

OUR SCANDINAVIAN PARTNER