

Containment • Emptying DCS® Drum Containment System



- Drum emptying under high containment
- Operator, product and environment protection
- Safe handling of toxic or explosive powders
- Easy to clean
- Primary and secondary containment
- Mobile
- Compact, adaptable to any type of drum
- Ergonomic
- cGMP compliant



Easy Cleaning



User Friendly



High Containment



Contamination Free

Containment • Emptying DCS® Drum Containment System



DCS® Drum Containment System* is a stainless steel cylindrical glove box with glass cover and with two glove ports. Highly economical in comparison with conventional isolation systems, the DCS ensures precise, contamination free evacuation of drums.

Fully mobile, this space saving device has the flexibility to work with a multitude of different drum heights and diameters, in an inert atmosphere if required. Fitted with load cells DCS® provides accurate charging, whilst the free moving suction lance connected to the PTS Powder Transfer System** and excellent visibility ensure residue free emptying.

With safety always a priority, DCS® guarantees both primary and secondary containment, with a glove box enabling the

operator to open the double liners within the sealed environment.

Design

- AISI type 316L stainless steel, electro-polished
- Other materials available (HC22, internal coating, etc.)
- HEPA H14 filters
- ATEX zone 2/21

Features

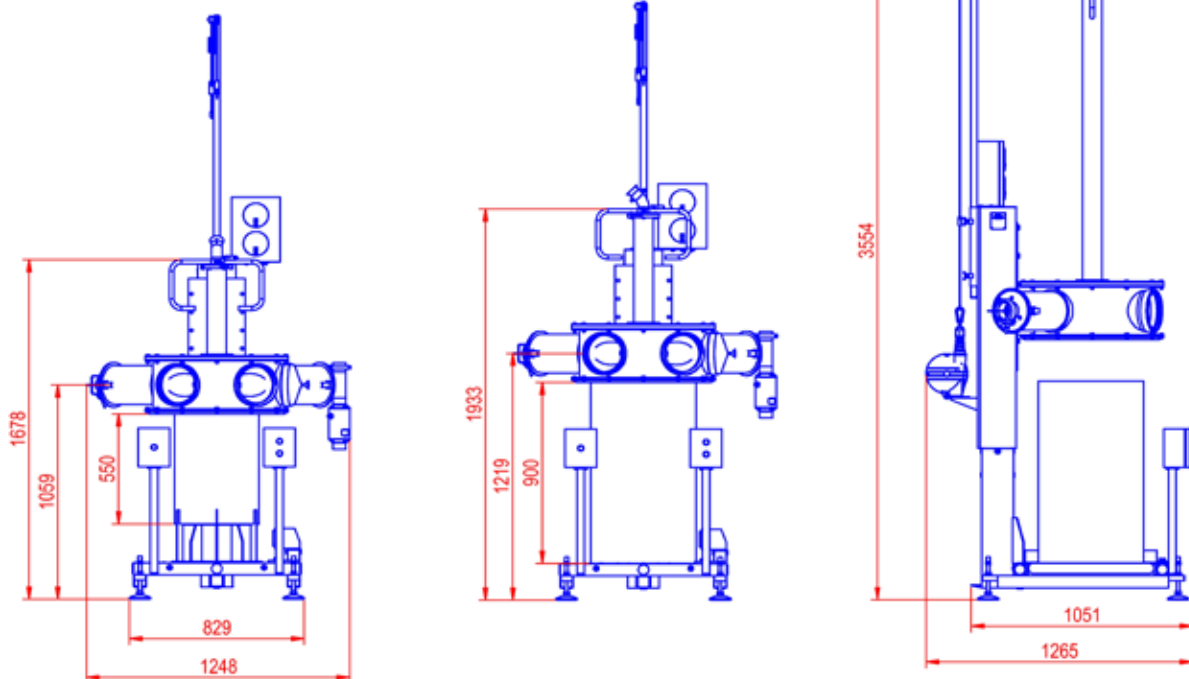
- Contamination free emptying of drums of various sizes equipped with double liners
- Works in combination with PTS Powder Transfer System®
- High containment ($< 1\mu\text{g}/\text{m}^3$)
- Primary and secondary containment
- No requirement of drum lifting or tipping

- No need to contain the drum during operation
- Limited use of gloves during the procedure
- Optimal visibility inside the drum
- Space saving
- Partial emptying possible
- Simple to install
- Easy to clean
- cGMP compliant, ISO 6 class internal

Options

- Load cells for accurate dosing
- Inert operation
- Platform for small drums
- Sampling
- ATEX zone 1/21

*patented



Powder Handling Excellence

TEKEMAS
OUR DANISH PARTNER

Tekemas A/S ♦ East: Naverland 2, 2600 Glostrup ♦ West: Nydamsvej 47, 8362 Hørning, Denmark ♦ Tel +45 3670 6000

Tekemas AB ♦ Varlabergsvägen 16F, 434 39 Kungsbacka Sweden ♦ www.tekemas.com ♦ tekemas@tekemas.com